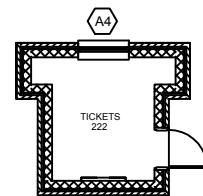
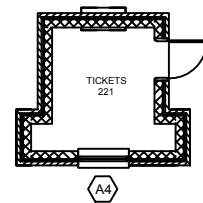


NO.	DATE	DESCRIPTION
1	01/31/19	First Submittal

MITCHELL GLASS CO.
 405 W. CONSTITUTION VICTORIA, TX 77902
 W (361) 573-4337 F (361) 573-1797

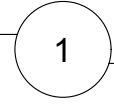
PROJECT: VANDERBILT INDUSTRIAL ISD CAMPUSES ADDITIONS & RENOVATIONS
 ARCHITECT: Rawley McCoy and Associates (361) 573-1642
 GENERAL CONTRACTOR: Weaver & Jacobs Contractors, Inc. (361) 277-9300

PROJECT NO.	MG-1901-03
DRAWN BY	fp
DATE	01/31/19
SCALE	NTS
DRAWING	FLOOR PLANS
SHEET	P1



FLOOR PLAN

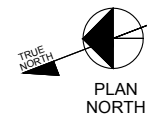
SCALE: 1/4" = 1'-0"
 ARCH REF: A1/SA1.1
 QUANTITY: TYPE A1 - 1
 TYPE A2 - 6
 TYPE A3 - 2 (ON OTHER SHOPS)
 TYPE A4 - 2 (ON OTHER SHOPS)

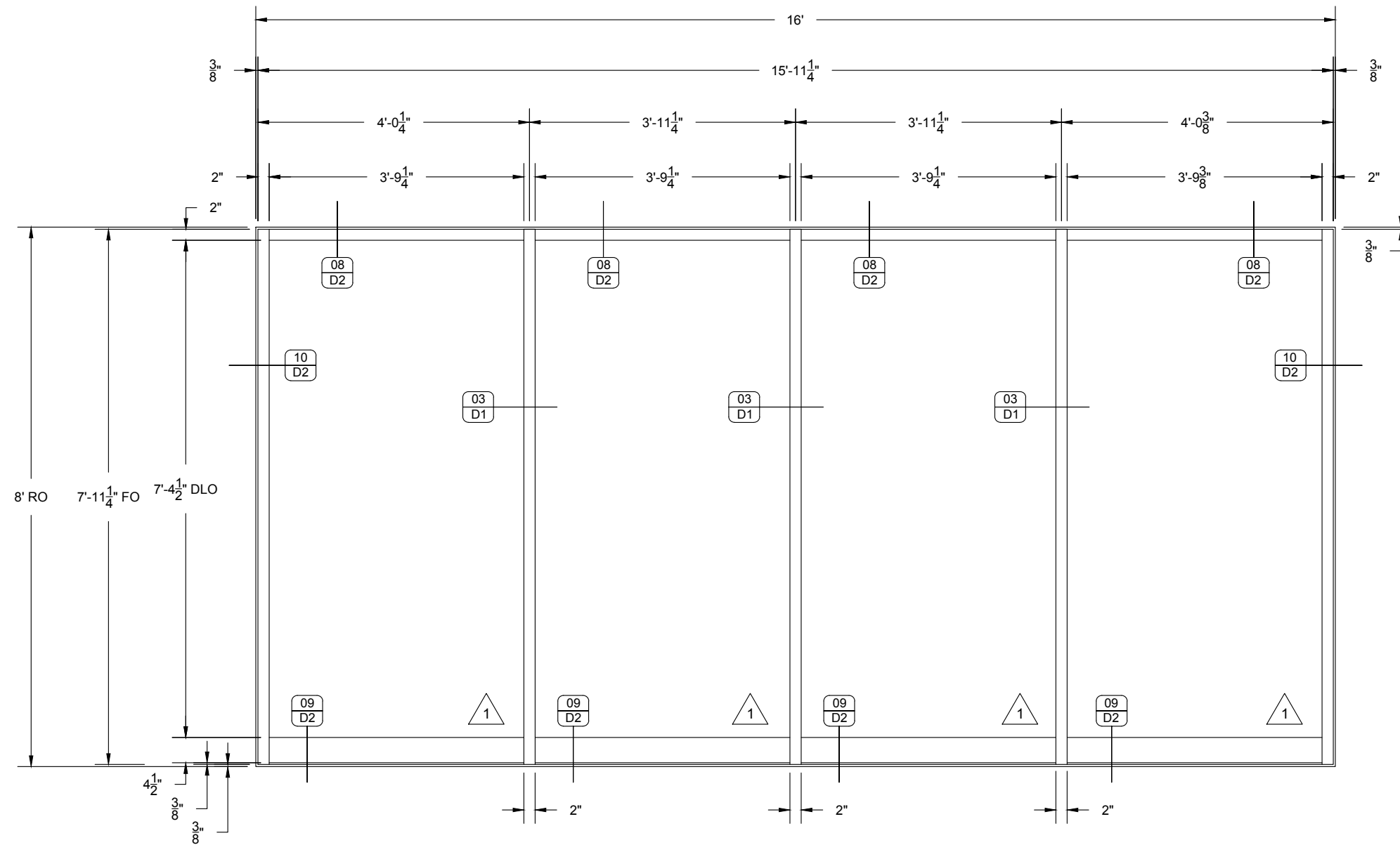


FIRST FLOOR

GLASS WALL SYSTEM(S):

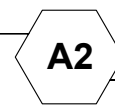
A1 & A2 - KAWNEER TRIFAB VG 451T
 A3 - ALL SEASONS, SINGLE HUNG (ON SEPARATE SHOP DRAWINGS)
 A4 - CR LAWRENCE TICKET BOOTH (ON SEPARATE SHOP DRAWINGS)





ELEVATION

QUANTITY: 06
 SCALE: 1/2" = 1'-0"
 ARCH REF: J7/SA7.1
 E12/SA7.1
 G11/SA6.1
 A12/SA7.1
 DOOR NUMBER: A206A



GLASS WALL

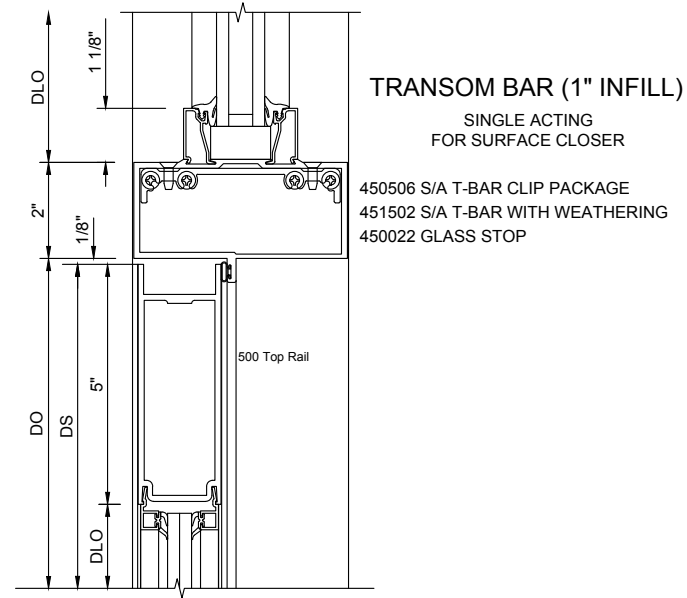
KAWNEER TRIFAB VG 451T STOREFRONT SYSTEM

NO.	DATE	DESCRIPTION
1	01/31/19	First Submittal

MITCHELL GLASS CO.
 405 W. CONSTITUTION VICTORIA, TX 77902
 W (361) 573-4337 F (361) 573-1797

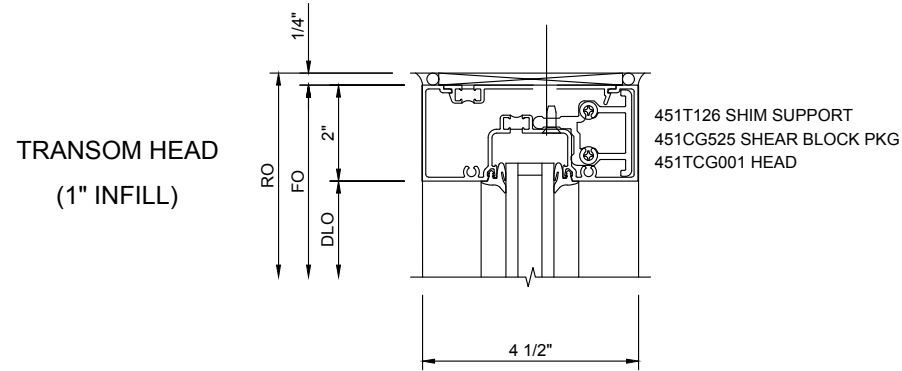
PROJECT: VANDERBILT INDUSTRIAL ISD
 CAMPUSES ADDITIONS & RENOVATIONS
 ARCHITECT: Rawley McCoy and Associates
 (361) 575-1642
 GENERAL CONTRACTOR: Weaver & Jacobs Contractors, Inc.
 (361) 277-9300

PROJECT NO.	MG-1901-03
DRAWN BY	fp
DATE	01/31/19
SCALE	1/2" = 1'-0"
DRAWING	ELEVATIONS
SHEET	E2



DETAIL
 SCALE: 3" = 1'-0"
 ARCH REF: N/A

01 DOOR HEAD AT TRANSOM
 SYSTEM TYPE:
 KAWNEER TRIFAB VG 451T STOREFRONT SYSTEM

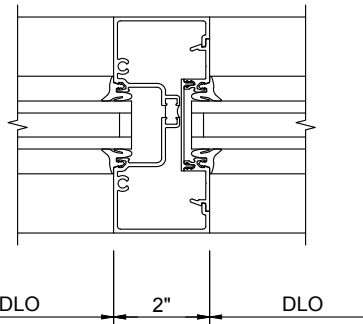


DETAIL
 SCALE: 3" = 1'-0"
 ARCH REF: N/A

05 TRANSOM HEAD
 SYSTEM TYPE:
 KAWNEER TRIFAB VG 451T STOREFRONT SYSTEM

STANDARD VERTICAL MULLION

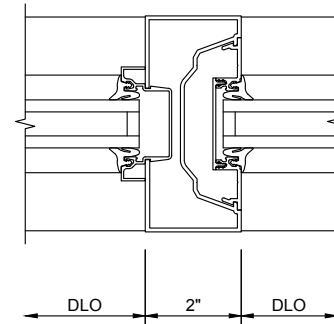
451TCG001 MULLION/JAMB/SILL
 451TCG002 POCKET FILLER



DETAIL
 SCALE: 3" = 1'-0"
 ARCH REF: N/A

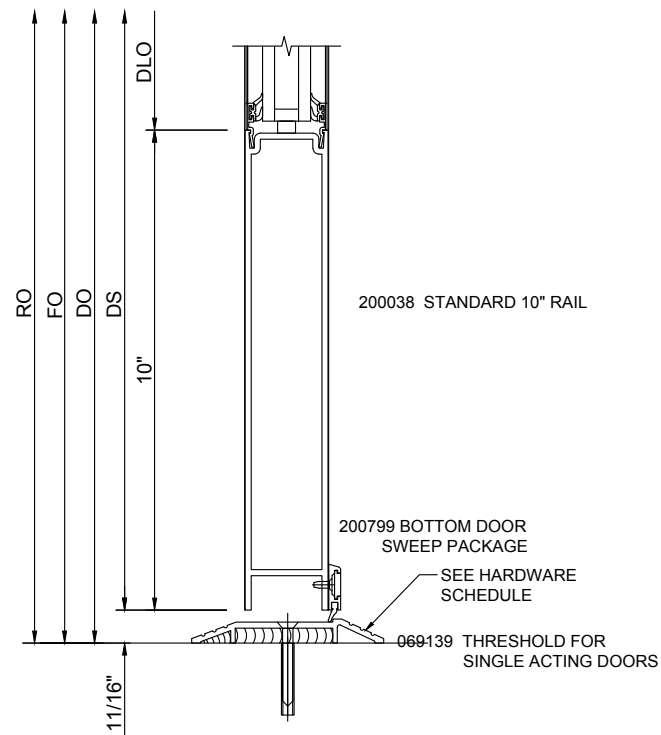
03 STANDARD VERTICAL
 SYSTEM TYPE:
 KAWNEER TRIFAB VG 451T STOREFRONT SYSTEM

451TCG002 POCKET FILLER
 451026 POCKET INSERT
 451599 S/A OPEN BACK DOOR JAMB
 450110 STEEL REINFORCING
 (AS REQUIRED)



DETAIL
 SCALE: 3" = 1'-0"
 ARCH REF: N/A

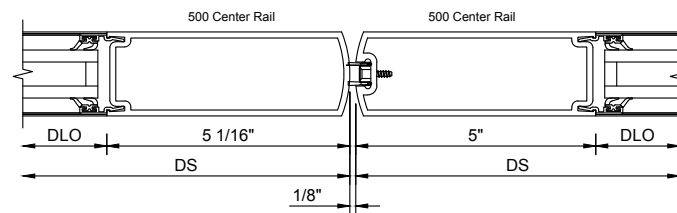
06 DOOR JAMB AT TRANSOM
 SYSTEM TYPE:
 KAWNEER TRIFAB BG 451T STOREFRONT SYSTEM



DETAIL
 SCALE: 3" = 1'-0"
 ARCH REF: G11/SA6.1

02 BOTTOM DOOR RAIL
 SYSTEM TYPE:
 KAWNEER 500 WIDE STILE ENTRANCE

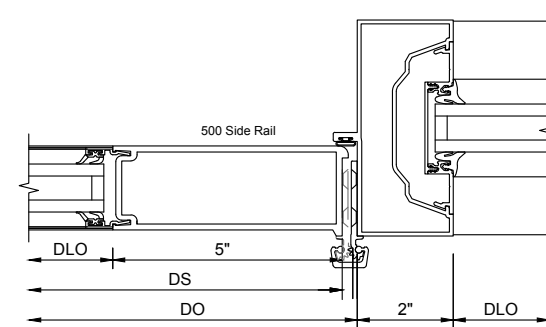
200009 500 ACTIVE STILE
 200010 500 INACTIVE STILE
 200496 ADJUSTABLE ASTRAGAL



DETAIL
 SCALE: 3" = 1'-0"
 ARCH REF: N/A

04 MEETING STILES
 SYSTEM TYPE:
 KAWNEER 500 WIDE STILE ENTRANCE

451599 S/A OPEN BACK DOOR JAMB
 WITH WEATHERING
 451TCG002 POCKET FILLER
 450110 STEEL REINFORCING
 (AS REQUIRED)



DETAIL
 SCALE: 3" = 1'-0"
 ARCH REF: N/A

07 DOOR JAMB AT SIDELITE
 SYSTEM TYPE:
 KAWNEER TREFAB VG 451T STOREFRONT SYSTEM

PROJECT	DATE	DESCRIPTION
1	01/31/19	First Submittal
1		fp
		BY
		DATE

MITCHELL GLASS CO.
 405 W. CONSTITUTION VICTORIA, TX 77902
 W (361) 573-4337 F (361) 573-1797

PROJECT
VANDERBILT INDUSTRIAL ISD
CAMPUSES ADDITIONS & RENOVATIONS
 ARCHITECT
Rawley McCoy and Associates
 (361) 573-1642
 GENERAL CONTRACTOR
Weaver & Jacobs Contractors, Inc.
 (361) 277-9300

PROJECT NO.	MG-1901-03
DRAWN BY	fp
DATE	01/31/19
SCALE	3" = 1'-0"
DRAWING	DETAILS
SHEET	D1

